

1 ALPHA2 L 25-40 180



: [99925372](#)

Grundfos ALPHA2 L high-efficiency circulator pumps are designed for circulating liquids in heating systems. With an energy efficiency index (EEI) at the ErP benchmark for most efficient pumps, it contributes to energy savings. The compact design fits into most installations.

The pump can operate in proportional-pressure, constant-pressure and constant-curve mode. The control mode is selected using the button on the display. The LEDs indicate the actual operating status.

The pump design features the following parts which contribute to long life:

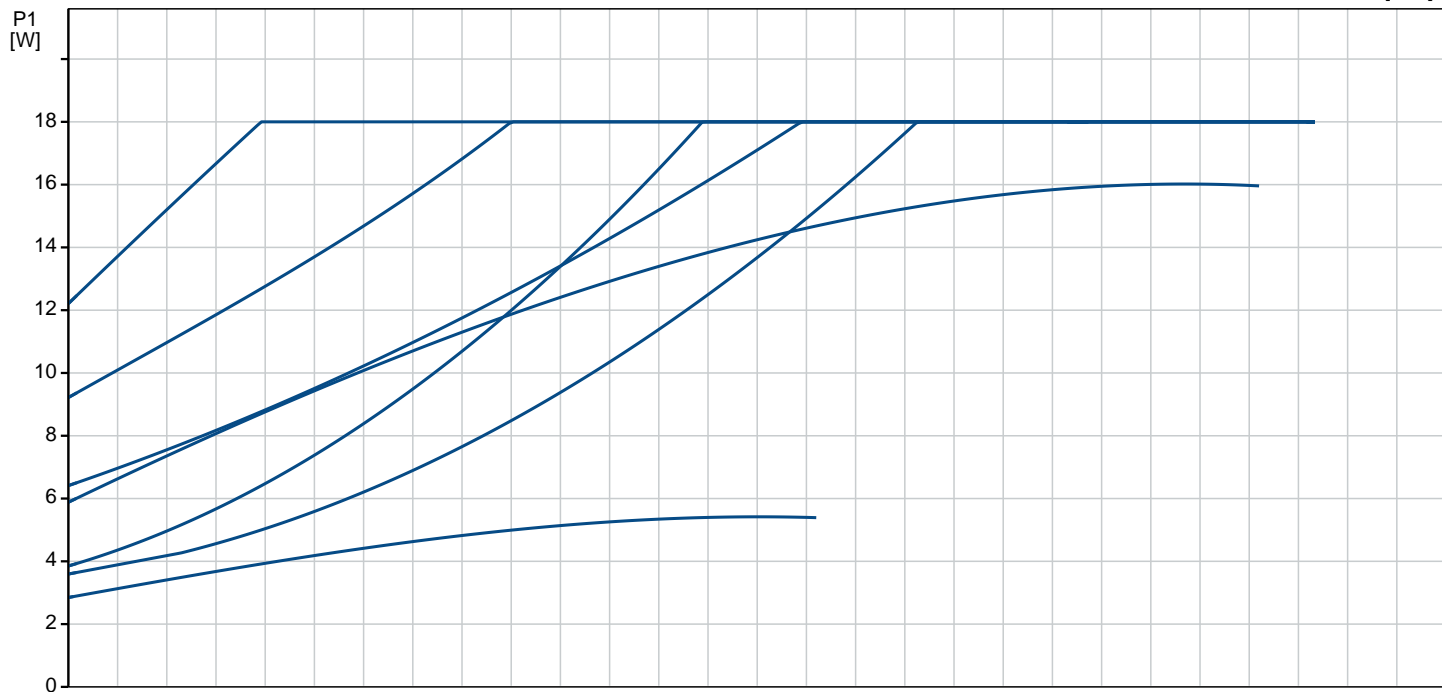
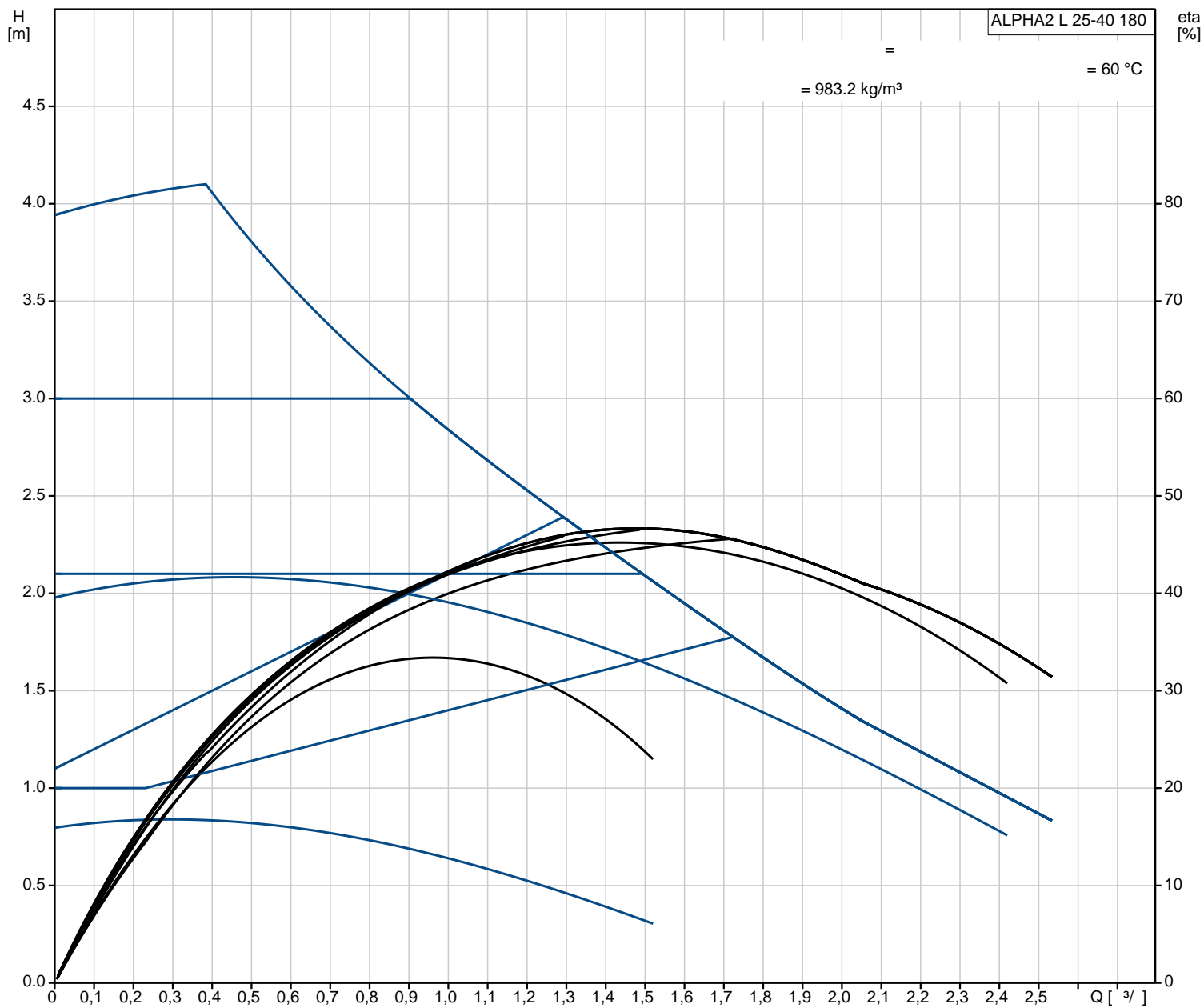
- ceramic shaft and radial bearings
- carbon thrust bearing
- stainless-steel rotor can, bearing plate and rotor cladding
- composite impeller.

The pump is self-venting through the system, which contributes to an easy installation.

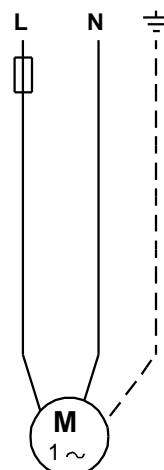
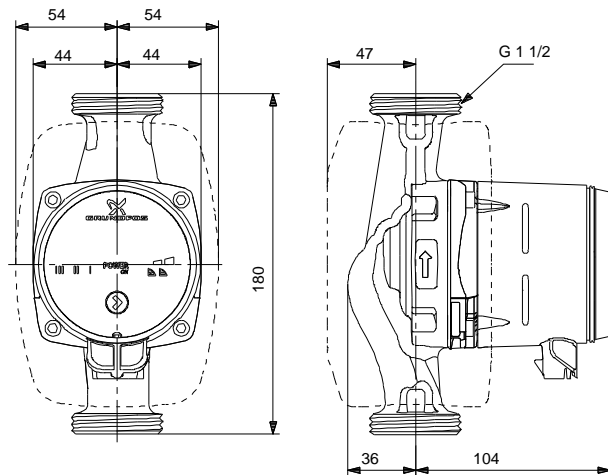
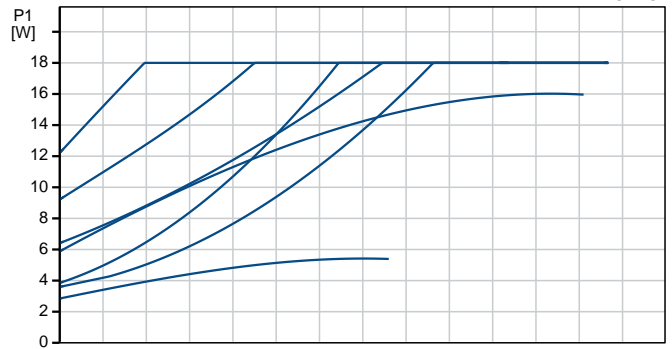
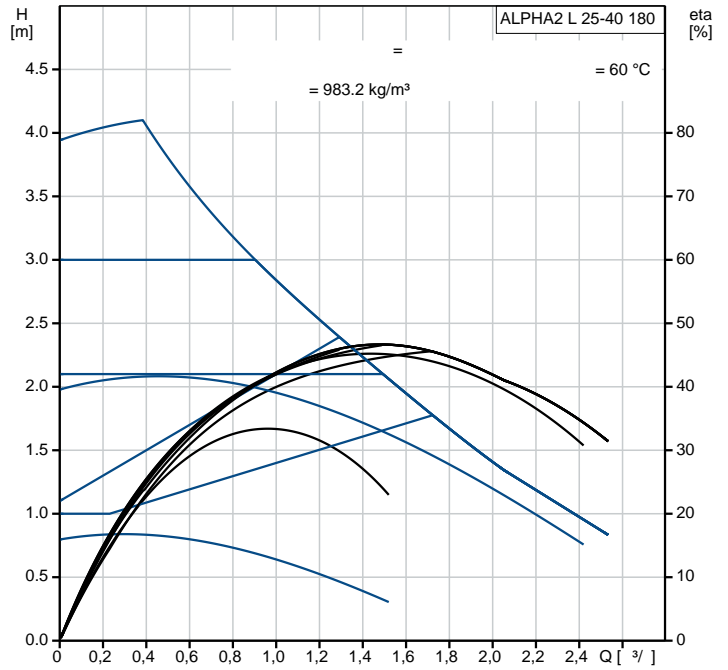
The pump housing is available in cast-iron version, and it is electrocoated to improve the corrosion resistance. The motor is a synchronous permanent-magnet/compact-stator motor characterised by high efficiency. The pump speed is controlled by an integrated frequency converter incorporated in the control box.

Insulating shells are supplied with the pumps to minimise heat loss in heating systems.

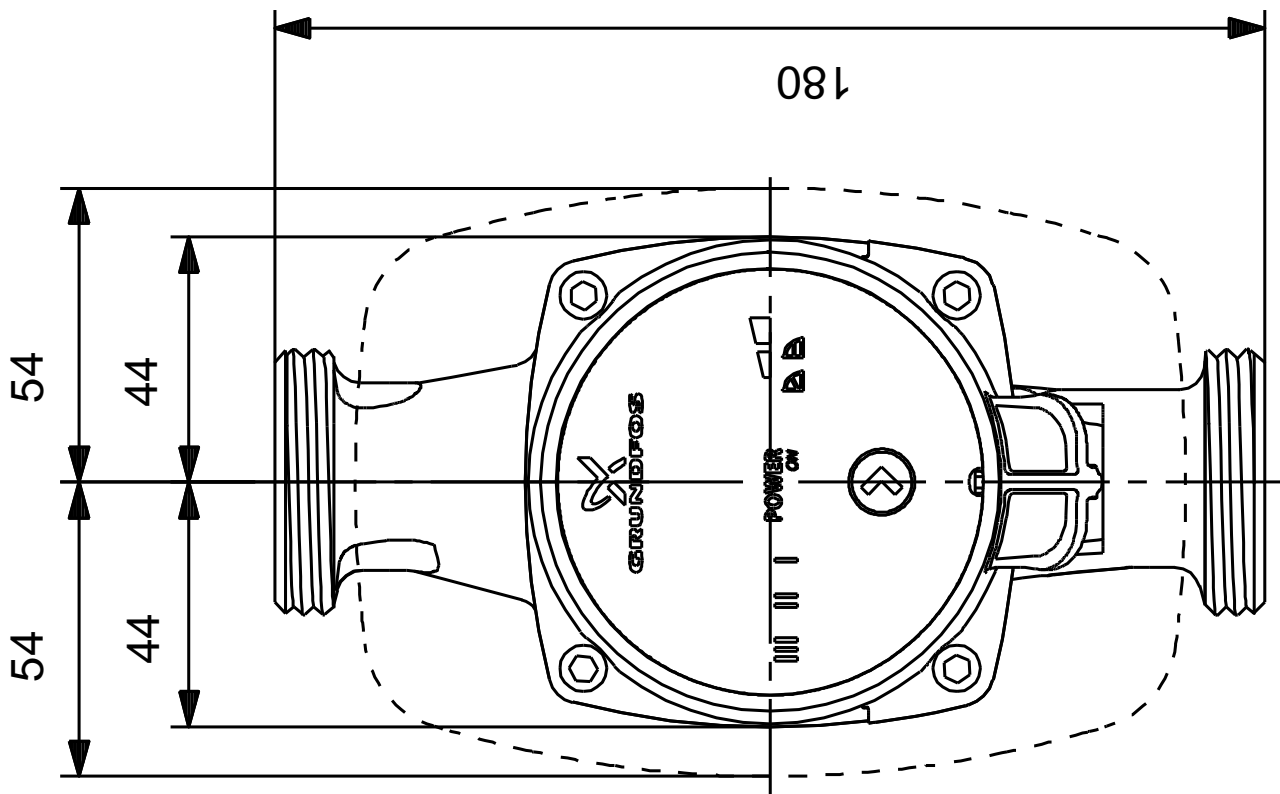
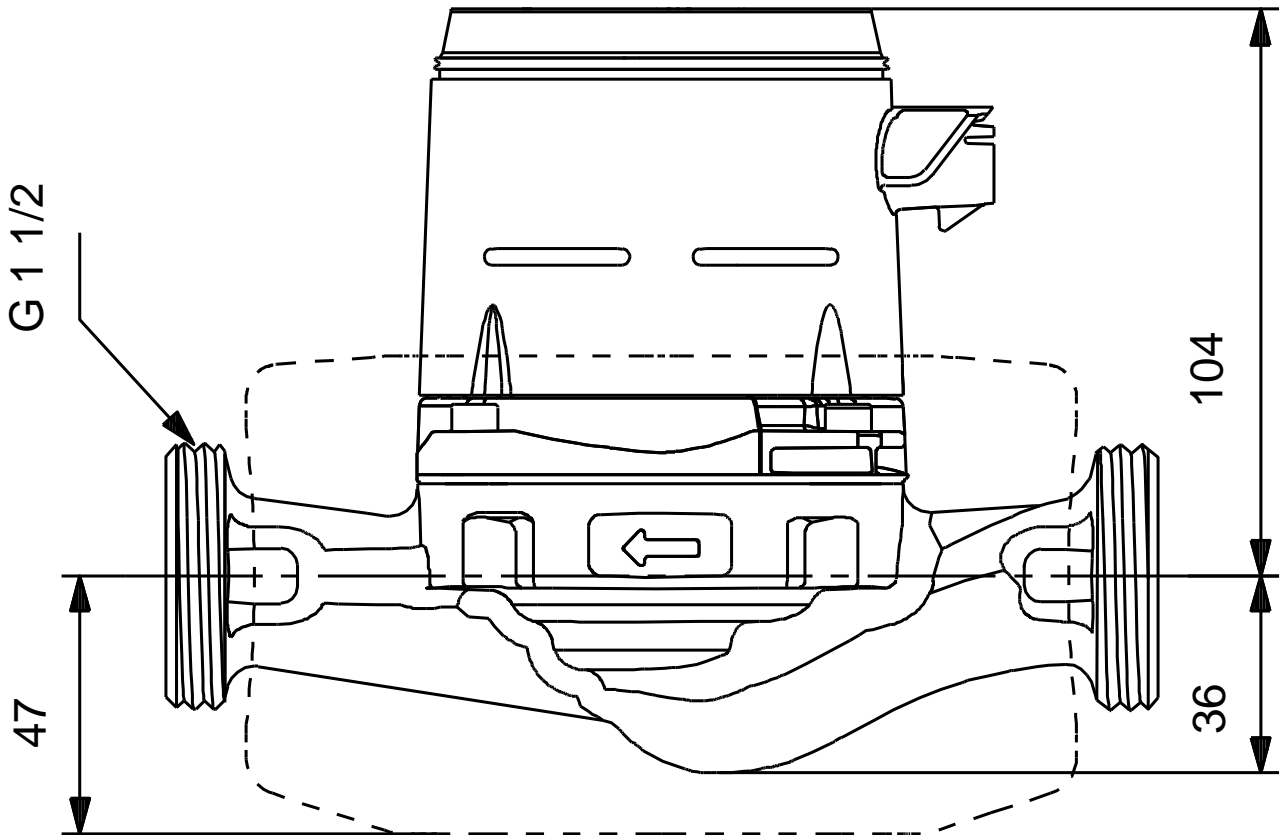
99925372 ALPHA2 L 25-40 180



ALPHA2 L 25-40 180	
No.:	99925372
EAN	5715114236379
40 dm	
110	
CE, VDE	
C	
EN-JL 1020	
ASTM A48-25 B	
, PP	
0 .. 40 °C	
10 bar	
G 1 1/2	
PN 10	
: 180 mm	
2 .. 110 °C	
60 °C	
983.2 kg/m ³	
- 1:	3 .. 18 W
	50 / 60 Hz
	1 x 230 V
	0.04 .. 0.18 A
(IEC 34-5):	X4D
(IEC 85):	F
ELEC	
6H	
(EEI):	0.20
	2.21 kg
	2.38 kg
	DK
	84137030



99925372 ALPHA2 L 25-40 180



99925372 ALPHA2 L 25-40 180

